

MFJ

IntelliTuner™ Automatic Antenna Tuner

Model MFJ-993B



INSTRUCTION MANUAL

CAUTION: Read All Instructions Before Operating Equipment

MFJ ENTERPRISES, INC.

300 Industrial Park Road
Starkville, MS 39759 USA
Tel: 662-323-5869 Fax: 662-323-6551

Contents

THE BASICS

Introduction.....	1
Features.....	2
Specifications.....	2
Fast Start.....	3
Front Panel.....	4
SWR/Wattmeter.....	4
LCD Display.....	4
LCD Contrast Control.....	4
ANT Button.....	4
MODE Button.....	4
C-UP and C-DN Buttons.....	4
L-UP and L-DN Buttons.....	5
AUTO Button.....	5
TUNE Button.....	5
VOL Control.....	5
POWER Button.....	5
Back Panel.....	7
Power.....	7
Remote Port.....	7
Radio Interface.....	7
Transmitter.....	8
Ground.....	8
Balanced Line.....	9
Wire.....	9
Antenna 1.....	9
Antenna 2.....	9
Installation.....	9
SWR/Wattmeter.....	10

THE MENUS

Main Mode Menus.....	11
Digital Wattmeter Menu.....	11
Power Bar Meter Menu.....	11
SWR Bar Meter Menu.....	12
L-Network Menu.....	12
Tuner Indicators.....	13
Antenna.....	13
IntelliTune.....	13
Memory.....	13
Power Level.....	13
LC Limit.....	14
Meter Range.....	14

Auto/Semi	14
StickyTune	14
Setup Mode Menus	15
Power Level Menu	15
Target SWR Menu	15
Auto Tune SWR Menu	15
Meter Range Menu	16
Peak Hold Menu	16
Memory Menu	16
IntelliTune Menu	17
SWR Beep Menu	17
Beep Menu	17
Refresh Menu	17
LC Limit Menu	18

OPERATION

Manual Tuning	18
Meter Codes and Audible Beeps	19
Foldback Circuit	20
Grounding Hints	21
Antenna System Hints	21
Location	21
Matching Problems	21

APPENDICES

Resetting the Tuner	23
Factory Defaults	23
Delete Antenna Memory	24
Total Reset	24
Self Test	24
Power Down Circuit Test	25
Relay Test	26
Firmware Version Number via Meter	26
Setting the Speaker Volume	26
Wattmeter Calibration	27
SWR Bridge Calibration	27
Frequency Counter Calibration	28
In Case of Difficulty	29
Technical Assistance	29
List of Accessories	29
Circuit Block Diagram	30

FIGURES

Figure 1. Installation Block Diagram.....	3
Figure 2. MFJ-993B Front Panel	4
Figure 3. Mode Button Flow Chart and Button Action	6
Figure 4. MFJ-993B Back Panel.....	7
Figure 5. Alinco Interface Cable.....	8
Figure 6. Icom Interface Cable	8
Figure 7. SWR/Wattmeter	10
Figure 8. Power Bar Meter (High Range).....	12
Figure 9. Power Bar Meter (Low Range)	12
Figure 10. SWR Bar Meter	12
Figure 11. Main Mode Menus Display	13
Figure 12. Tuner Indicators.....	14
Figure 13. Power-On Operations	23
Figure 14. MFJ-993B Circuit Block Diagram	30

TABLES

Table 1. Memory Resolution	16
Table 2. Meter Needle Stationary Codes	19
Table 3. Meter Needle Bounce Codes	20
Table 4. Failure Messages.....	25

THIS PAGE IS LEFT BLANK INTENTIONALLY

The Basics

Introduction

The MFJ-993B *IntelliTuner*[™] lets you rapidly tune any antenna automatically: balanced, unbalanced, or single-wire. The MFJ-993B is a comprehensive automatic antenna tuning center with SWR/wattmeter, antenna switch for two antennas, and a 4:1 current balun for balanced lines.

MFJ's exclusive *InstantRecall*[™], *IntelliTune*[™] and *AdaptiveSearch*[™] algorithms give you fast automatic tuning with more than 20,000 non-volatile *VirtualAntenna*[™] memories. Each of the two antennas has four banks of memory; each memory bank has over 2500 non-volatile memories for tuner settings.

The tuner includes a highly efficient switching L-network with wide matching capability, 1.8 to 30 MHz coverage, cross-needle power meters, backlight LCD display, a port for an accessory remote control, a radio interface port, and heavy-duty 16 amp/1000 volt relays. It is rated at 300 watts to match 6 to 1600 ohms antennas (SWR up to 32:1) or 150 watts to match wider range of 6 to 3200 ohms (SWR up to 64:1).

A maximum of 256 values of inductance and 256 values of capacitance are available. With the capacitance switched between the input and output side, this provides a total of 131,072 L/C tuning combinations. The nominal tuning ranges are 0 to 24 μ H and 0 to 3900 pF.

All MFJ *IntelliTuners*[™] learn and remember. When you transmit, they automatically adjust for minimum SWR and remember the frequency and tuner settings, safely stored in non-volatile memory. The next time you operate on that frequency (or close to it) and antenna, these tuner settings are instantly restored and you're ready to operate in milliseconds. Each of two antenna selections has four banks of memory, which can learn and remember more than 2500 frequencies and tuner settings per bank.

When you key your transmitter, MFJ's *InstantRecall*[™] checks its memory to see if you have operated that frequency before. If so, tuning is instantaneous and you're ready to operate. If not, MFJ's *IntelliTune*[™] algorithm (based on MFJ's famous SWR Analyzer technology) kicks in. It measures the complex impedance of your antenna. Next, it calculates the components it needs and instantly snaps them in. Finally, it fine-tunes to minimize SWR, and you're ready to operate--all in a fraction of a second.

If the antenna impedance is not within the tuner's measurement range, MFJ's *AdaptiveSearch*[™] algorithm goes into action. Frequency is measured and relevant components values are determined. Only those values are searched for fast tuning. If it still cannot find a match, the search is performed again using a different search pattern.

The target SWR can be set at 1.0 through 2.0. The minimum power to tune is approximately two watts. You can manually tune where you can't transmit (for listening out of ham bands).

All MFJ's *IntelliTuners*[™] support radio tuner interfaces that are compatible with Alinco EDX-2 tuner, Icom AH-3 and AH-4 tuners, Kenwood AT-300 tuner, Yaesu FC-30 tuner, and certain Yaesu radios with CAT system. Optional interface cables MFJ-5124A (for Alinco), MFJ-5124I (for Icom), MFJ-5124K (for Kenwood), MFJ-5124Y and MFJ-5124Y2 (for Yaesu) are available from MFJ Enterprises, Inc. The optional MFJ-993RC Remote Control provides most tuner controls, allowing convenient remote locating of the tuner itself.

The tuners enter a "sleep" mode when idle and when no transmit signal is present, turning off the microprocessor clock to avoid the generation of spurious signals.

Features

- Automatically matches antennas with impedances of 6 to 1600 ohms or 6 to 3200 ohms
- Handles 300 watts (match 6 to 1600 ohms) or 150 watts (match 6 to 3200 ohms)
- Tune in less than 15 seconds, usually less than 5 seconds
- Over 20,000 non-volatile memories for tuner settings
- Four memory banks per antenna with over 2500 memories per bank
- Highly efficient switching L-network matching circuit
- 1.8 to 30 MHz continuous frequency coverage
- Adjustable target SWR 1.0 to 2.0
- Adjustable SWR threshold 0.5 to 1.5
- Lighted cross-needle SWR/wattmeter with high, low, and auto range options
- Multifunction backlit LCD display with contrast control
- Numeric readings for SWR, forward and reflected power
- Bar meters for SWR, forward and reflected power with range options
- Audio SWR meter with volume control
- Built-in frequency counter
- Two SO-239 coax fed antenna connectors
- Connector for random wire or single wire antennas
- Built-in 4:1 current balun for balanced line antennas
- Optional remote control
- Optional radio interface for compatible radios

Specifications

- Impedance matching range: 6 to 1600 ohms (300 watts) or 6 to 3200 ohms (150 watts)
- SWR matching range: up to 8:1 for < 50 ohms and up to 32:1 for > 50 ohms (300 watts)
up to 8:1 for < 50 ohms and up to 64:1 for > 50 ohms (150 watts)
- Minimum power for tuning: 2 watts
- Maximum power while tuning: 100 watts with foldback, 20 watts without foldback
- RF power limit: 300 watts SSB/CW
- Frequency range: 1.8 to 30 MHz continuous coverage
- Frequency counter accuracy: ± 1 kHz across HF bands
- Frequency counter range: up to 50 MHz
- Capacitance range: 0 to 3908 pF nominal (256 values)
- Inductance range: 0 to 24.86 μ H nominal (256 values)
- Relay rating: 16 amp 1000 volts
- Relay electrical life: 100,000 operations
- Relay mechanical life: 10 million operations
- Memory endurance: 1 million erase/write cycles
- Memory data retention: > 200 years
- Power requirements: 12 - 15 volts DC, 2.1 \times 5.5 mm coaxial plug, center pin positive
- Current consumption: 1 amp or less
- Dimensions (approx.): 10.1 \times 2.8 \times 9.2 in. (257 \times 71 \times 234 mm) (width/height/depth)
not including connectors
- Weight (approx.): 3.9 lb (1.77 kg)

† Specifications and design are subject to change without notice.

Fast Start

WARNING

- *Never operate the tuner with its cover removed. Contact with the components inside the tuner while transmitting will result in painful RF burns.*
- *Locate the tuner so that the rear terminals are *not accessible* during operation. The single wire and balanced line connection may have high voltage while transmitting.*
- *Disconnect all antennas from the tuner during lightning storms.*
- *Always tune with low power (about 10 watts). Apply maximum power only after tuning up.*
- *Never exceed tuner specifications.*
- *Do not transmit with a high SWR for extended periods of time.*

1. Connect the MFJ-993B to a 12-15 VDC voltage source capable of supplying at least 1 amp.
2. Connect your transmitter to the TRANSMITTER connector using a 50-ohm coaxial cable.
3. Connect your coax-fed antenna to the ANTENNA 1 connector using a 50-ohm coaxial cable, or connect your random wire to the WIRE binding post, or connect your balanced line antenna to the BALANCED LINE binding posts and connect a jumper between the other two posts as indicated.
4. Connect your ground connection to the GROUND post.
5. Press the [POWER] button to turn on the MFJ-993B tuner. Place the [ANT] button in the out position to select antenna 1. Press the [AUTO] button in to select semi-automatic mode.
6. Key your transmitter to output a carrier of 10 watts CW, FM or AM.
7. Press and hold the [TUNE] button on the MFJ-993B for one second to start the automatic tuning process. When completed, check to ensure an SWR of 2.0 or less before increasing RF power.
8. You are ready to transmit.

Note: *During the automatic tuning process, the tuner will make some noise. These are the relays switching at a very fast pace and it is normal operation. Do not be alarmed.*

Note: *When the tuner power is OFF, the tuner is in bypass mode and RF from the transmitter goes directly to the antenna (ANTENNA 1) with no matching. When the tuner power is ON, pressing [C-DN] and [L-DN] simultaneously or pressing [TUNE] quickly places the tuner in bypass mode (zero inductance and zero capacitance) and indicates by the reflected needle bouncing to 20 watts.*

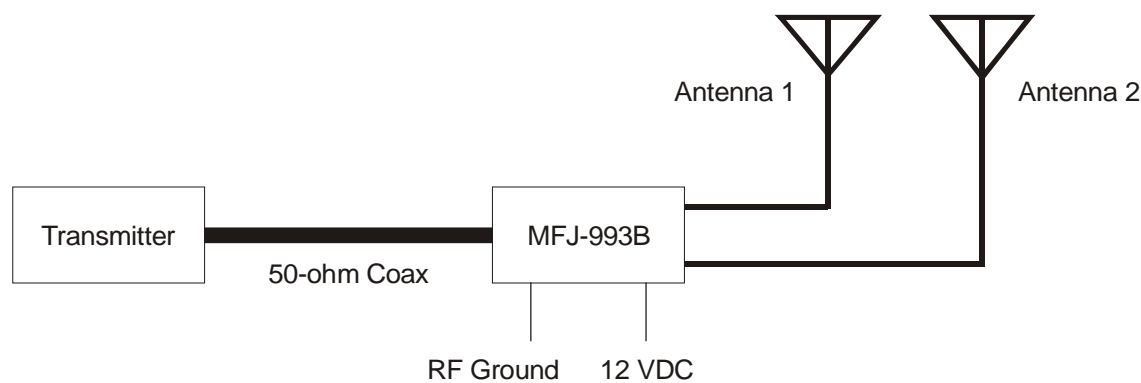


Figure 1. Installation Block Diagram.

Front Panel

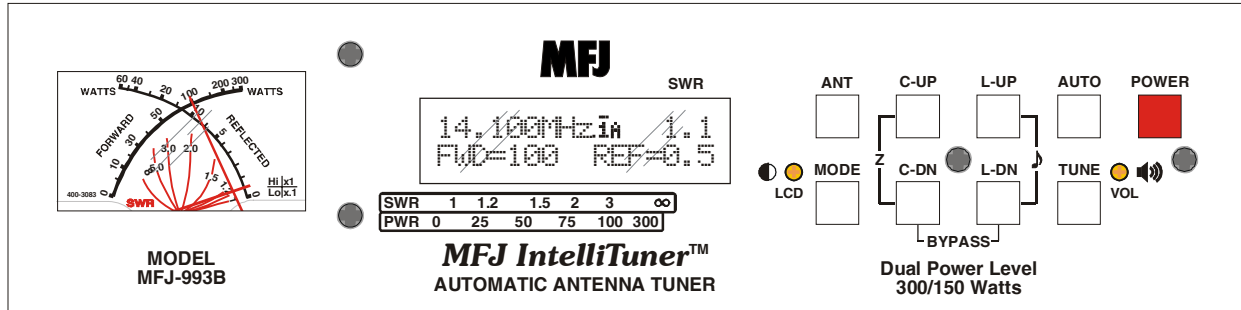


Figure 2. MFJ-993B Front Panel.

- SWR/Wattmeter:** The cross-needle meter measures forward power, reflected power, and SWR. It operates whenever the tuner is power on. Full-scale readings are 300 watts forward and 60 watts reflected. The meter can be set to low power range of 30 watts forward and 6 watts reflected. The SWR is measured at the point where the two needles cross. See “SWR/Wattmeter” on page 10 for more detailed information.
- LCD Display:** A 2-line by 16-character alphanumeric display. It displays the tuner’s various menus and status. The display contrast can be adjusted by the [LCD] control on the front panel. Below the display are the SWR and power bar meter scales. Refer to Figures 11 and 12 for descriptions of the various displayed information.
- LCD Contrast Control:** A trimpot control that adjusts the contrast of the LCD display. Use a small flat blade screwdriver and turn clockwise to increase contrast.
- ANT Button:** Used to select the antenna to tune. Button *out* selects Antenna 1; button *in* selects Antenna 2. The Antenna indicator on the main display indicates the selected antenna. A balanced feedline or a single-wire antenna is, by default, Antenna 1. Changing the [ANT] button will switch the antenna *only* when there is no RF power; also, the tuner setting for the selected antenna, if available, is instantly restored from memory when enabled.
- MODE Button:** Time-sensitive and used to navigate through the various main menus and to enter or exit the setup menus.
- C-UP and C-DN Buttons:** Used to manually increase or decrease the capacitance of the L-network matching circuit. The capacitance range is 0 to 3908 pF (picofarads). The upper limit of capacitance, dependent on frequency, is used to limit the maximum voltage and current across the tuner’s components. This limit can be removed in the LC Limit setup menu, but is not recommended.

Note: Pressing [C-UP] and [C-DN] simultaneously toggles the capacitor between the input and output sides of the L-network. Forward needle bounces to 30 watts when the capacitor is on the transmitter side. Reflected needle bounces to 5 watts when the capacitor is on the antenna side.

- **L-UP and L-DN Buttons:** Used to manually increase or decrease the inductance of the L-network matching circuit. The inductance range is 0 to 24.86 μH (microhenries). The upper limit of inductance, dependent on frequency, is used to limit the maximum voltage and current across the tuner's components. This limit can be removed in the LC Limit setup menu, but is not recommended.

Shortcut: Press both [L-UP] and [L-DN] buttons simultaneously to toggle SWR Beep on and off. See "SWR Beep Menu" on page 17.

Note: Pressing [C-DN] and [L-DN] (both DOWN buttons) simultaneously places the tuner in bypass mode. The reflected needle bouncing to the 20-watt mark indicates this. RF from the transmitter goes directly to the antenna with no matching.

- **AUTO Button:** Used to select automatic or semi-automatic tuning mode. Button *out* selects automatic mode--the tuning routine is automatically started when at least 2 watts of power is applied and the SWR is a preset amount above the preset target SWR. Button *in* selects the semi-automatic mode--the tuning routine starts only when the [TUNE] button is pressed. The Auto/Semi indicator on the main display indicates the selected mode.

Note: During the tuning process, the tuner will make some noise. These are the relays switching at a very fast pace and it is normal operation. Do not be alarmed.

- **TUNE Button:** Has three different functions based on the length of time you press and hold it before releasing. Press [TUNE] quickly (less than 0.5 second) to bypass the tuner. RF from the transmitter goes directly to the antenna with no matching.

Press and hold [TUNE] for 0.5 to 2 seconds to start the automatic tuning process. The transmitter must be keyed first with at least 2 watts of power. When the SWR is already below the target SWR, pressing [TUNE] will fine-tune the match for a lower SWR, if possible.

"StickyTune" allows for one-handed tuning operation. Normal tuning requires keying the transmitter with one hand and using the other hand to push the [TUNE] button to start the tuning process. To toggle the *StickyTune* mode on and off, press and hold the [TUNE] button for two seconds. When enabled, a bar appears on top of the Auto/Semi indicator, and the tuning process starts automatically when the transmitter is keyed with at least 2 watts of power regardless of the SWR. This works in both automatic and semi-automatic modes. One beep indicates on and two beeps indicate off.

- **VOL Control:** A trimpot control that adjusts the volume level of the audio SWR meter. Use a small flat blade screwdriver and turn clockwise to increase volume level.
- **POWER Button:** Used to turn the power on and off. Note that during power-on the analog meter bounces three times (to indicate the model number, 993). When the power is off, the tuner is placed in bypass mode and Antenna 1 is selected. When turning on the power, the tuner automatically restores all previous settings and displays the target SWR on the main screen.

WARNING: Do not turn the power on and off rapidly, otherwise the tuning setting memory can be corrupted and the unit will have to be reset to factory defaults.

Note: When the tuner power is OFF, the tuner is in bypass mode and RF from the transmitter goes directly to the antenna (ANTENNA 1) with no matching.

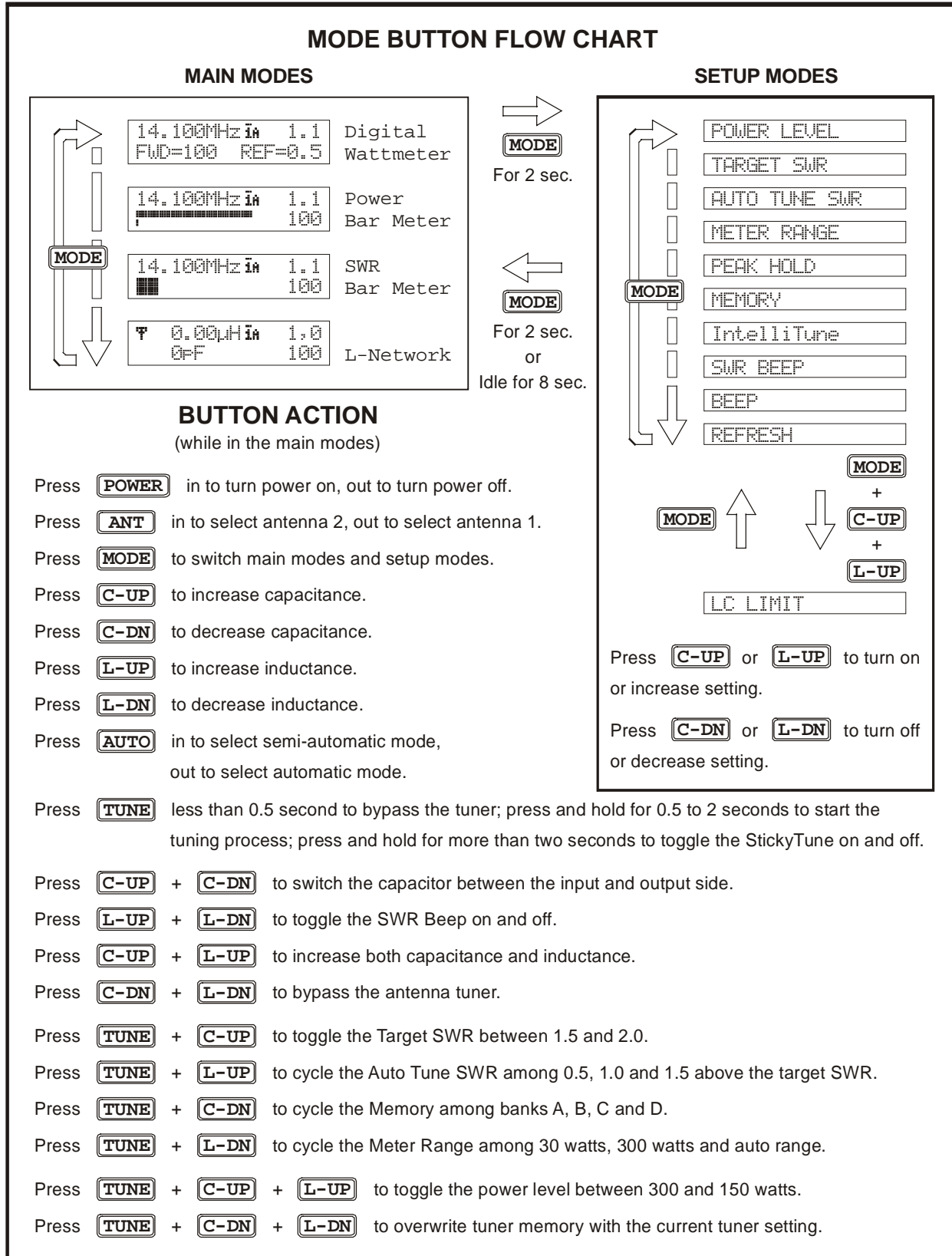


Figure 3. Mode Button Flow Chart and Button Action.

Back Panel

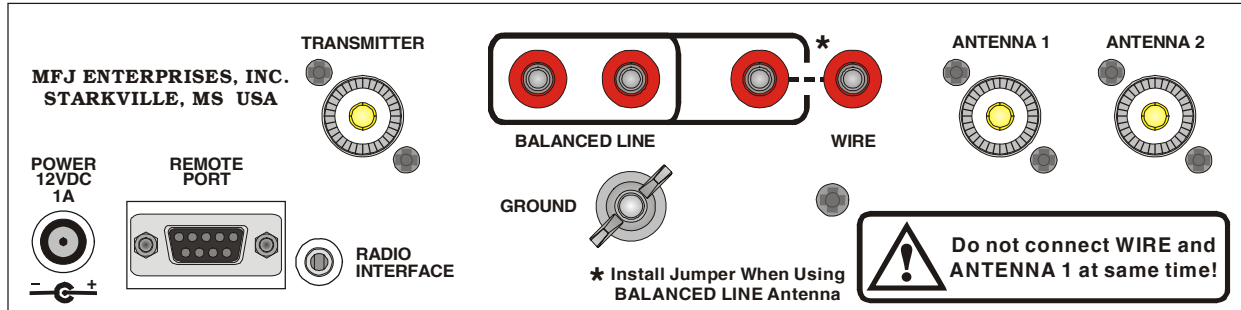


Figure 4. MFJ-993B Back Panel.

- Power:** This jack accepts a standard 2.1×5.5 mm coaxial plug with positive center and negative sleeve. The tuner requires 12 volts DC at up to 1 amp. The use of a regulated supply is not mandatory but is recommended for best performance. An optional 12 volts DC 1.5 amp power supply, the MFJ-1316, is available from MFJ Enterprises, Inc.

WARNING: Do not apply voltages greater than 18 volts to this unit, or permanent damage to the unit may result.

Note: When the tuner power is OFF, the tuner is in bypass mode and RF from the transmitter goes directly to the antenna (ANTENNA 1) with no matching.

- Remote Port:** A female DB-9 connector for connecting to the MFJ-993RC Remote Control, allowing remote operation of the tuner. The MFJ-993RC duplicates all the front panel buttons except [POWER] and [MODE]. In addition, there are two LEDs on the remote control. The red Tuning LED lights to indicate tuning is in progress and the green SWR LED lights when the SWR is below the target SWR.

Note: To use the remote control, both the [ANT] and [AUTO] buttons on the automatic tuner must be pressed in; otherwise, Antenna 1 and Automatic mode are selected.

- Radio Interface:** A 3.5 mm stereo phone jack for connecting to the tuner interface connector of compatible radios. Most radios provide +13.8 VDC power through its tuner interface connector. If separate power supplies are used to power the MFJ-993B, the MFJ-993B should be powered on first (for certain radios, TURN ON RADIO will display and both needles will bounce) and then turn on the radio, so the radio knows an external tuner is attached. The radio will disable its internal tuner, if it has one, and use the external tuner.

The Radio Interface works with radios that are compatible with Alinco EDX-2, Icom AH-3 and AH-4, Kenwood AT-300, Yaesu FC-30, and certain Yaesu radios with CAT system. When connected to a compatible radio, simply press the [TUNER] or [AT] button on the radio; for certain Yaesu, press the [TUNE] button *on the tuner* to start the automatic tuning process. The radio will automatically switch to CW mode (AM for Yaesu), transmit a 10-watt carrier, and start the tuning process. Once the automatic tuning is completed, the radio will return to its previous mode and power setting.

WARNING: Make sure the +13.8 volts connection on the radio's tuner port is capable of supplying at least 1 amp of current, since the MFJ-993B uses up to 1 amp.

The MFJ-5124A interface cable provides power and control between an Alinco radio and the MFJ automatic tuner. Supported Alinco radios are DX-70, DX-77, and any Alinco radio that supports the Alinco EDX-2 tuner.

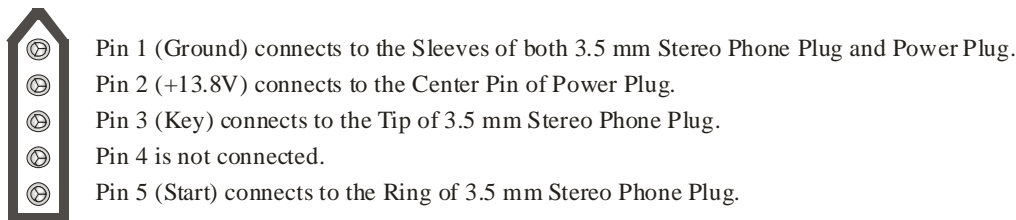


Figure 5. Alinco Interface Cable.

The MFJ-5124I interface cable provides power and control between an Icom radio and the MFJ automatic tuner. Supported Icom radios are IC-706, IC-707, IC-718, IC-725, IC-728, IC-736, IC-738, IC-746, IC-756, IC-765, IC-775, and any Icom radio that supports the Icom AH-3 and AH-4 tuners. Push and hold the radio's [TUNER] button for two seconds to start the tuning process. Push [TUNER] quickly to bypass the tuner.

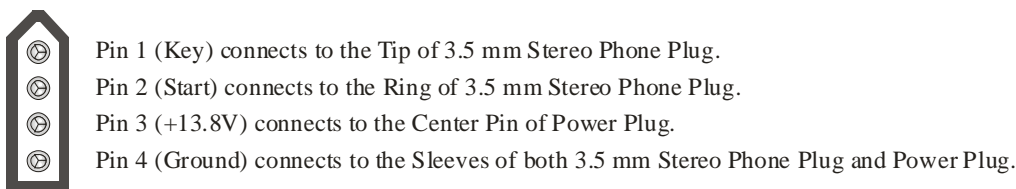


Figure 6. Icom Interface Cable.

The MFJ-5124K interface provides power and control between a Kenwood radio and the MFJ automatic tuner. Supported Kenwood radios are TS-50S, TS-450S, TS-480HX, TS-570S, TS-690S, TS-850S, TS-870S, TS-2000, and any Kenwood radio that supports the Kenwood AT-300 tuner. Push and hold the radio's [AT TUNE] button for one second to start the tuning process. Push the [AT TUNE] quickly to bypass the tuner or to cancel tuning in progress.

The MFJ-5124Y interface provides power and control between a Yaesu radio and the MFJ automatic tuner. Supported Yaesu radios are FT-857, FT-897, and any Yaesu radio that supports the Yaesu FC-30 tuner—press and hold in the [A](TUNE) key *on the radio* for one second to initiate automatic tuning. Supported Yaesu radios are FT-100, FT-857, FT-897, and any Yaesu radio with compatible CAT system—push the [TUNE] button *on the tuner* for 0.5 to 2 seconds to start the tuning process.

The MFJ-5124Y2 interface provides control between a Yaesu radio and the MFJ automatic tuner. Supported Yaesu radios are FT-847 and any Yaesu radio with compatible CAT system. Push the [TUNE] button *on the tuner* for 0.5 to 2 seconds to start the tuning process.

- **Transmitter:** SO-239 connector for coax cable from transmitter or transceiver.
- **Ground:** Wing-nut terminal for RF ground wire connection.

- **Balanced Line:** Two binding posts for connecting balanced line antennas. To use balanced line antenna, install a jumper as shown to the WIRE binding post.
- **Wire:** Binding post for connecting single wire antennas. Notice the WIRE binding post is internally connected to the ANTENNA 1 connector.

Note: To use the WIRE binding post, make sure to remove the antenna, if any, from the ANTENNA 1 connector.

- **Antenna 1:** SO-239 connector for coax cable from antenna. Notice the ANTENNA 1 connector is internally connected to the WIRE binding post.

Note: To use the ANTENNA 1 connector, make sure to remove the jumper and wire antenna, if any, from the WIRE binding post.

- **Antenna 2:** SO-239 connector for coax cable from antenna.

Installation

WARNING

- **Never operate the tuner with its cover removed. Contact with the components inside the tuner while transmitting will result in painful RF burns.**
- **Locate the tuner so that the rear terminals are *not accessible* during operation. The single wire and balanced line connection may have high voltage while transmitting.**
- **Disconnect all antennas from the tuner during lightning storms.**
- **Always tune with low power (about 10 watts). Apply maximum power only after tuning up.**
- **Never exceed tuner specifications.**
- **Do not transmit with a high SWR for extended periods of time.**

1. Place the tuner in a convenient location at the operating position. With a random wire or balanced line, the feed through insulators may have high RF voltages. These voltages can cause serious RF burns if the terminals are touched when transmitting. **Be sure to locate the tuner so these terminals cannot accidentally be contacted during operation.**
2. Install the tuner between the transmitter and the antenna. Use a 50-ohm coaxial cable (such as RG-58) to connect the transmitter (or amplifier) to the connector marked TRANSMITTER on the rear of the tuner. See Figure 1 on page 3.
3. Connect the antenna(s) to the tuner as follows:
 - Coaxial feedlines to the SO-239 connectors labeled ANTENNA 1 and/or ANTENNA 2.
 - Random wire or single wire line antennas should be connected to the WIRE binding post on the back of the tuner (and remove the jumper wire). Note the back panel warning: **Do not connect WIRE and ANTENNA 1 at same time!** When a single wire antenna is connected it “becomes” ANTENNA 1.

Note: Route all single and random wire antennas safely to prevent RF burn hazard.

- For a balanced feedline (open wire, twinlead, or twin-axial lines), place a jumper wire as indicated on the back panel and connect the balanced feedline to the BALANCED LINE binding posts. This antenna becomes ANTENNA 1. See “Antenna System Hints” on page 21.
4. A GROUND post is provided for an RF ground connection. See “Grounding Hints” on page 21.
 5. Connect a 12 to 15 VDC power source to the input jack labeled POWER.

SWR/Wattmeter

The backlit cross-needle meter measures forward power, reflected power, and SWR, and operates whenever the tuner is powered on. Forward power up to 300 watts is displayed on the left-hand FORWARD meter scale. Reflected power up to 60 watts is read on the right-hand REFLECTED meter scale. For low-power tuning, meter ranges of 30 watts forward and 6 watts reflected are available. Divide the readings on these scales by ten when in the low power meter range.

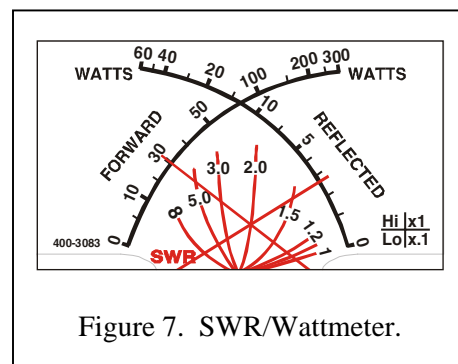


Figure 7. SWR/Wattmeter.

The meter can be set to low, high, or auto range. Auto range automatically sets the meter scales according to the input RF power to the tuner. Forward power greater than 30 watts or reflected power greater than six watts automatically sets the meter to the high power range. Forward power less than 25 watts and reflected power less than four watts automatically set the meter to the low power range. To cycle the meter range among low, high, and auto range, press the [TUNE] and [L-DN] buttons simultaneously. The forward needle will read “300” for high range, “30” for low range, and “100” for auto range until the buttons are released. When auto range is enabled, a two-dot vertical segment (low range) or a three-dot vertical segment (high range) appears in the lower right corner of the Range indicator on the main LCD screen. One beep indicates high range is selected; two beeps indicate low range; three beeps indicate auto range. Refer to Figures 11 and 12 for the on-screen Range indicator.

The SWR is read from the eight red SWR curves that range from 1.0 to infinity. The SWR is measured by observing the point where the forward and reflected power needles cross on the red curved scales across the center of the meter. No cumbersome or time-consuming SWR sensitivity adjustments are required with this meter. Figure 7 shows an SWR of approximately 2.0.

$$SWR = \frac{1 + \sqrt{\frac{\text{reflected power}}{\text{forward power}}}}{1 - \sqrt{\frac{\text{reflected power}}{\text{forward power}}}}$$

The meter also indicates various operational states of the tuner. Refer to “Meter Codes and Audible Beeps” on page 19 for more details.

The MFJ-993B also includes an SWR bar meter and an audio SWR indicator, selectable by pressing [L-UP] and [L-DN] buttons simultaneously. It also has bar meters for forward and reflected power.

The Menus

Main Mode Menus

The main mode menus show various tuner settings and status. There are four main mode menus arranged in a “wrap-around” structure. When powered on, tuner operation starts with the main menu that was last used. Within each main menu, press the [MODE] button briefly to view the next main menu. Press and hold the [MODE] button for two seconds to enter the setup mode (see below). Various tuner indicators are shown on all four main menus: Antenna 1/2, IntelliTune™, Memory, Power Level, LC Limit, Meter Range, Auto/Semi, and StickyTune™. Refer to Figures 11 and 12 for details on the displayed information.

Note: *In sideband mode, the frequency readout on the tuner display jumps around to different frequencies while transmitting and stops on another frequency when un-keyed. This is normal and is a characteristic of sideband mode, because sideband signals jump up and down in frequency and power.*

Note: *In bypass mode, the decimal point in the SWR reading is replaced with a comma.*

Digital Wattmeter Menu

Shows the frequency, SWR, and forward and reflected power in watts.

Power Bar Meter Menu

Shows the frequency, SWR, forward power, and bar meters for forward and reflected power. The top bar meter is the forward power and the bottom bar meter is the reflected power. The numeric reading of forward power appears at the end of the bar meters. A power scale is printed just below the display on the front panel. Each power bar meter is consisted of 60 bar segments. When in the high power range, each vertical bar segment consists of three dots. Below 100 watts, each bar segment represents two watts; above 100 watts, each bar segment represents 20 watts. The forward bar meter has a “peak hold” feature. The peak meter hold function freezes the highest displayed bar segment of the forward power for about one second, so that you can more easily read the meter. This function can be turned ON and OFF in the Peak Hold setup mode.

For low-power tuning, meter range of 30 watts is available. When in the low power range, divide the readings on the printed power scale by ten and each vertical bar segment consists of two dots. Below 10 watts, each bar segment represents 0.2 watt; above 10 watts, each bar segment represents two watts. Refer to the “SWR/Wattmeter” section on page 10 for more details on power range.

The power meter can be set to auto range. Auto range automatically sets the meter scale according to the input RF power to the tuner. Forward power greater than 30 watts or reflected power greater than six watts automatically sets the meter to the high power range. Forward power less than 25 watts and reflected power less than four watts automatically set the meter to the low power range. When auto range is enabled, a two-dot vertical segment appears on the on-screen tuner indicator. Refer to Figures 11 and 12 for the on-screen Range indicator.

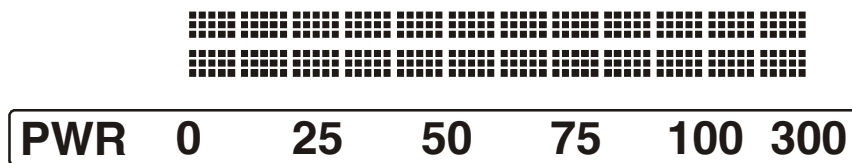


Figure 8. Power Bar Meter (High Range).

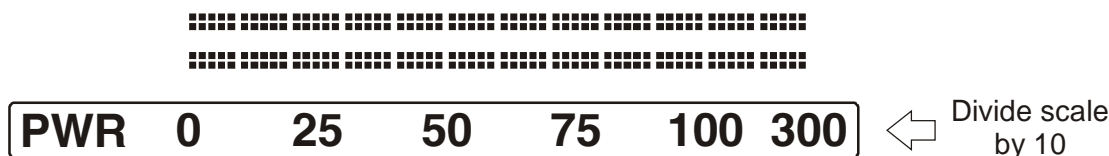


Figure 9. Power Bar Meter (Low Range).

SWR Bar Meter Menu

Shows the frequency, SWR, forward power, and SWR bar meter. A SWR scale is printed just below the display on the front panel. The 13-block (36-segment) SWR bar meter indicates SWR of 1.0, 1.1, 1.2, 1.3, 1.4, 1.5, 1.6-1.7, 1.8-2.0, 2.1-2.5, 2.6-3.0, 3.1-5.0, 5.1-15.0, and 15.1 to infinity. The numeric reading of forward power appears at the end of the bar meter. There is also an audio SWR indicator (see “SWR Beep Menu” section on page 17).



Figure 10. SWR Bar Meter.

L-Network Menu

Shows the configuration of the L-network matching circuit, SWR, and forward power. The antenna symbol, on the upper left corner, indicates the antenna side of the L-network. The capacitance value is displayed to the left when it is on the antenna side and to the right when on the transmitter side. Inductance value is shown in microhenries (μH) and capacitance value in picofarads (pF). The numeric reading of forward power appears at the lower right corner of the display. See “Manual Tuning” on page 18.

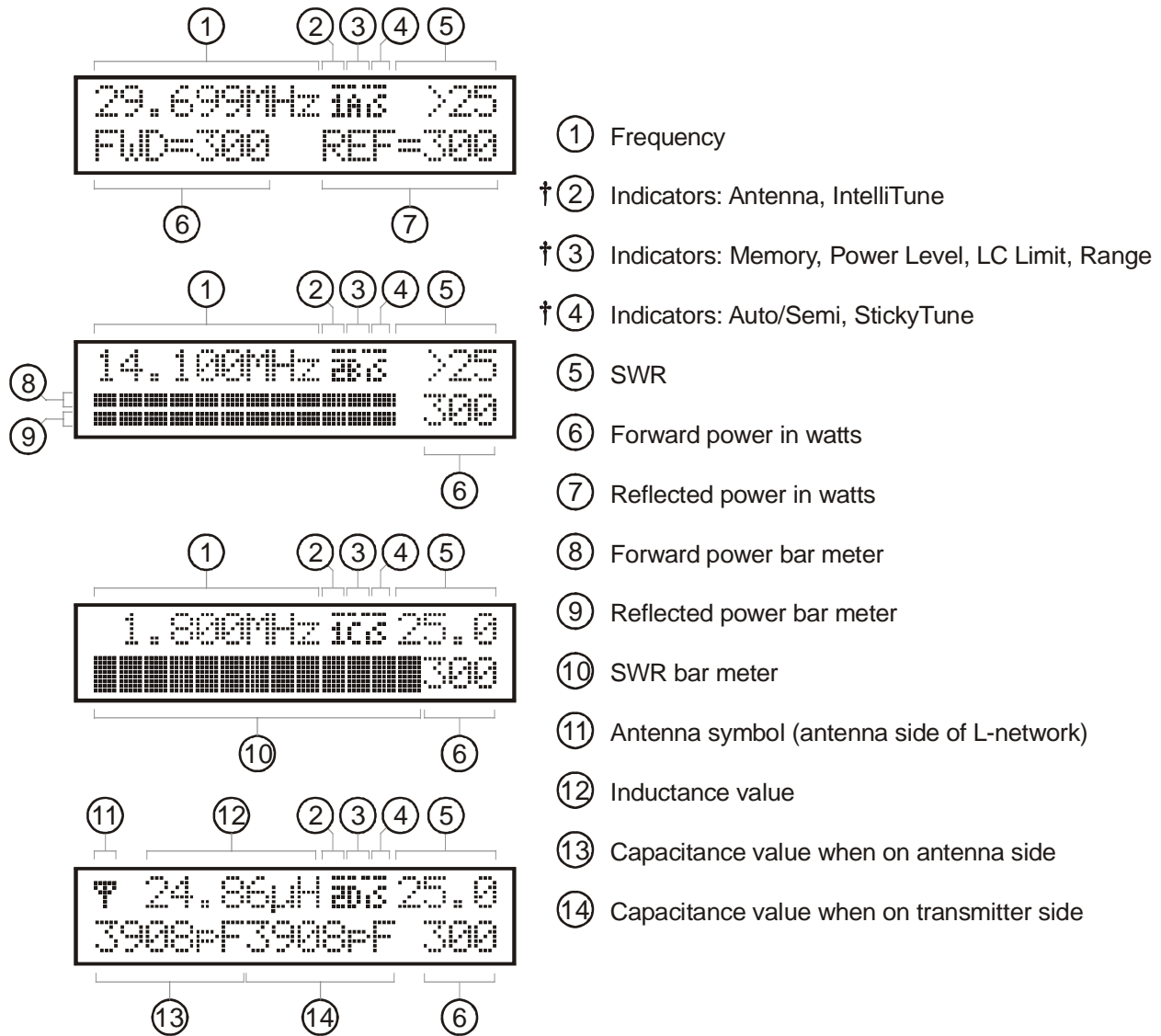


Figure 11. Main Mode Menu Display.

Tuner Indicators

Various tuner indicators are shown on the main menus to indicate tuner status. Refer to Figure 11 for locations of these indicators. The number enclosed within () is the item number of Figure 12.

- **Antenna:** A small “1” appears to indicate antenna 1 is selected (15); a small “2” appears to indicate antenna 2 is selected (16).
- **IntelliTune:** When *IntelliTune*™ is ON, a bar appears on top of the Antenna indicator (17).
- **Memory:** A small “A”, “B”, “C” or “D” appears to indicator the selected memory bank when Memory is ON (18-21).
- **Power Level:** When 150-watt power level is selected, a bar appears on the upper-left corner of the Memory indicator (22).

- **LC Limit:** When LC Limit is OFF, a bar appears on the upper-right corner of the Memory indicator (23).
- **Meter Range:** When Auto Range is ON, a two-dot vertical bar segment appears on the lower right corner of the Memory indicator (24), another dot appears on top of this bar segment when the meter range is high, and no dot when the meter range is low (25).
- **Auto/Semi:** A small “S” appears to indicate semi-automatic mode; nothing appears to indicate automatic mode (26).
- **StickyTune:** When *StickyTune*TM is ON, a bar appears on top of the Auto/Semi indicator (27).

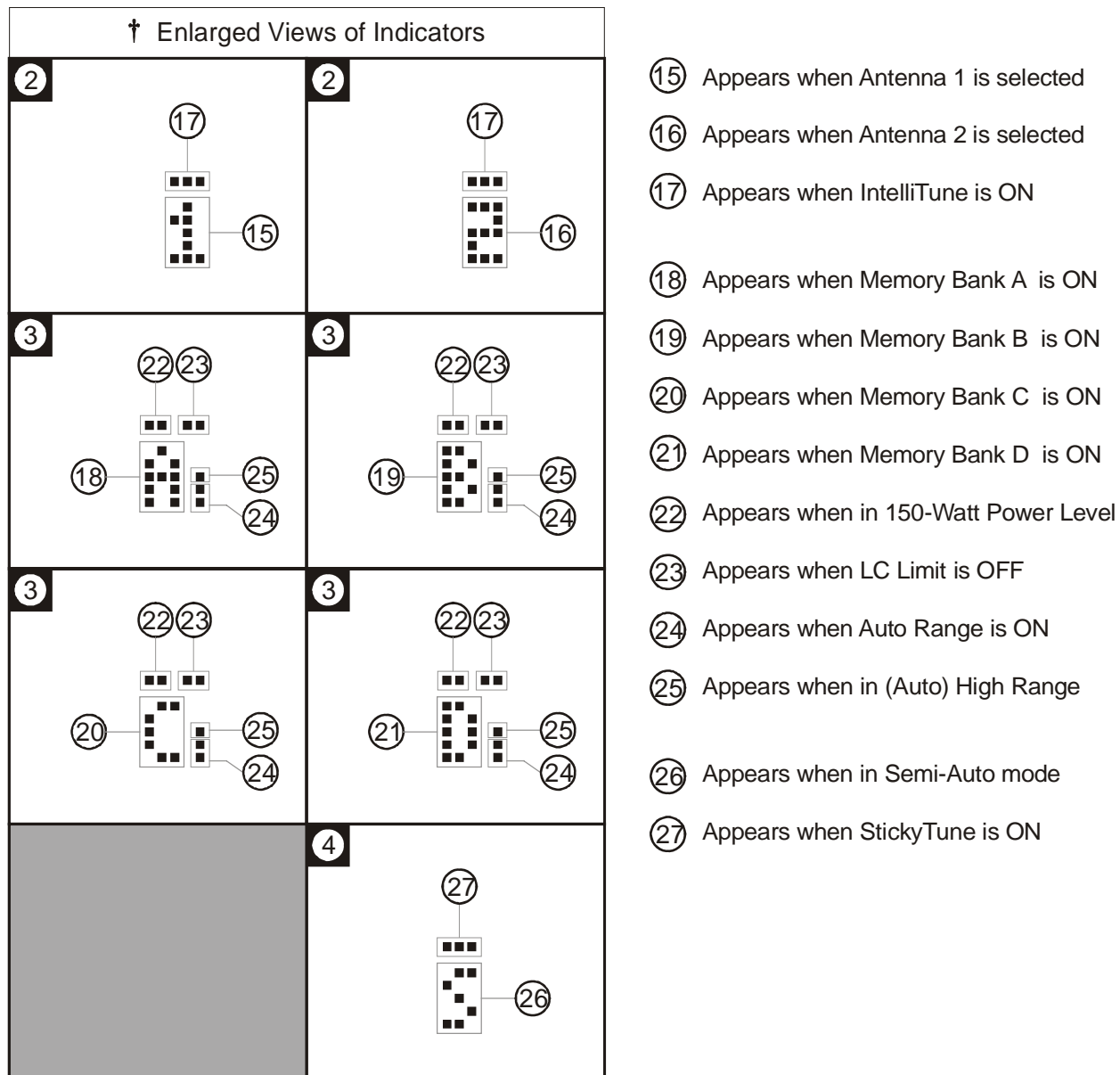


Figure 12. Tuner Indicators.

Setup Mode Menus

The setup mode menus allow you to set up how the MFJ-993B works and behaves. There are 11 setup mode menus arranged in a “wrap-around” structure. To access these setup menus, press and hold the [MODE] button for two seconds. The setup menu that will display is the one that was last used. When finished, press the [MODE] button for two seconds to go back to the main mode for normal operation.

The tuner goes into protective bypass mode in the setup mode and restores the matching network after exiting the setup mode. If no button is pressed for more than eight seconds, the tuner automatically exits the setup mode, restores the matching network, and returns to the main mode.

To access the LC Limit setup menu from any setup menu, press and hold the [MODE] button and within two seconds press both [C-UP] and [L-UP] buttons. This difficulty is built-in so the LC Limit is not accidentally disabled. Notice the LC Limit is not saved into non-volatile memory and will revert back to default ON when power is turned off.

The following setup modes are stored separately for antennas 1 and 2: Power Level, Target SWR, Auto Tune SWR, Meter Range, Peak Hold, Memory, and *IntelliTune*TM.

Within each setup menu:

- Press the [MODE] button briefly to cycle through the setup menus; press and hold the [MODE] button for two seconds to exit the setup mode and go back to the main mode.
- Press the [C-UP] or [L-UP] button to increase or turn on the setting for the current setup menu.
- Press the [C-DN] or [L-DN] button to decrease or turn off the setting for the current setup menu.

Power Level Menu

Allows you to set the maximum power level the MFJ-993B can handle to 300 watts or 150 watts SSB/CW. Power level of 300 watts can match antennas with impedances of 6 to 1600 ohms; power level of 150 watts can match a wider impedance range of 6 to 3200 ohms. Default is 300 watts.

Shortcut: Press [TUNE], [C-UP] and [L-UP] buttons simultaneously to toggle the power level between 300 and 150 watts. Refer to Table 2 for meter code.

Target SWR Menu

Allows you to set the target SWR from 1.0 to 2.0. The tuning process will stop when a match with an SWR less than or equal to the target SWR is found. Setting the target SWR lower than 1.5 may require longer tuning times. The target SWR is shown on the initial display when the tuner is powered on. Default is 1.5.

Shortcut: Press both [TUNE] and [C-UP] buttons simultaneously to toggle the target SWR between 1.5 and 2.0, which is indicated by the meter SWR scale. Refer to Table 2 for meter code.
--

Auto Tune SWR Menu

Allows you to set the SWR threshold in the range 0.5 to 1.5. In the automatic mode, the tuning process will automatically start when the SWR is above the target SWR by this amount of SWR threshold. For example, for target SWR of 1.5 and auto tune SWR of 1.0, the tuning process will start whenever the SWR is above 2.5 (1.5 + 1.0) and there is at least 2 watts of RF power. Default is 1.0.

Shortcut: Press both [TUNE] and [L-UP] buttons simultaneously to cycle the auto tune SWR among 0.5, 1.0 and 1.5. Refer to Table 2 for meter code.

Meter Range Menu

Allows you to select the meter scale range. In the 30 watts (low) range, the forward full scale is 30 watts and the reflected full scale is 6 watts (divide the meter reading by 10). In the 300 watts (high) range, the forward full scale is 300 watts and the reflected full scale is 60 watts. Auto range automatically sets the meter scales according to the input RF power to the tuner. Forward power greater than 30 watts or reflected power greater than six watts automatically sets the meter to the high power range. Forward power less than 25 watts and reflected power less than four watts automatically set the meter to the low power range. Refer to Figures 11 and 12 for the on-screen Meter Range indicators. Default is 300 watts range.

Shortcut: Press both [TUNE] and [L-DN] buttons simultaneously to cycle the meter range among 30 watts, 300 watts and auto range. Refer to Table 2 for meter code.

Peak Hold Menu

When the peak hold function is ON, the highest activated segment of the forward bar meter remains visible for about one second, so that you can more easily read it. When OFF, the meter functions normally. Default is ON.

Memory Menu

Turns the antenna memory on and off. The “memory resolution” is the width of frequency spectrum that the tuner recognizes as being the same as a tuned frequency already in memory. The memory resolution is approximately 0.1 percent of the lower frequency of each amateur band. For example, the memory resolution on the 40-meter band (7000 to 7300 kHz) is 7 kHz; if the tuner has memorized a setting for 7050 kHz, it will automatically call up this setting for any frequency from 7047 to 7053 kHz. Memory resolution is smaller at lower frequency to accommodate the higher antenna Q and larger at higher frequency where the antenna Q is lower. The memory resolutions for the HF amateur bands 160 through 10 meters are:

Meter	Frequency Range (kHz)	Memory Resolution (kHz)
160	1800 – 2000	2
75/80	3500 – 4000	4
60	5330.5, 5346.5, 5366.5, 5371.5 and 5403.5	5 memory locations
40	7000 – 7300	7
30	10100 – 10150	10
20	14000 – 14350	14
17	18068 – 18168	18
15	21000 – 21450	21
12	24890 – 24990	25
10	28000 – 29700	28

Table 1. Memory Resolution.

The memory resolution for non-amateur frequency bands between 160 and 10 meters is approximately 0.2 percent of the lower frequency of that band. There are over 2500 memory locations for each memory bank, and each antenna has four memory banks (A-D). Tuner settings are stored in memory separately

for Antenna 1 and Antenna 2 (settings for balanced line or single-wire antenna are stored as Antenna 1). This provides memory for up to eight different antennas. Refer to Figures 11 and 12 for the on-screen Memory indicator. Defaults are memory banks 1A and 2A ON.

Shortcut: Press both [TUNE] and [C-DN] buttons simultaneously to turn on the antenna memory and to cycle the memory banks A, B, C and D. Refer to Table 2 for meter code.

To clear the memory for an antenna (all four banks), select the antenna with the [ANT] button, turn off the power to the tuner, then press and hold both [TUNE] and [C-DN] buttons while turning on the power. A `DELETE ANTENNA` message will appear.

“Total Reset” erases both antenna memories and returns all tuner settings to their factory default states. To achieve this, turn power off, press and hold [TUNE], [L-DN] and [C-DN] buttons while turning on the power. A `TOTAL RESET` message will appear.

Note: Pressing [TUNE], [C-DN] and [L-DN] buttons simultaneously overwrites the tuner memory with the current tuner setting; settings with SWR greater than 3.0 will not be stored.

IntelliTune Menu

Turns the *IntelliTune*[™] tuning algorithm on and off. When the tuner cannot find an appropriate setting in its memory, it begins its calculation function. It measures the complex impedance of the antenna (load) at the transmitting frequency, then it calculates the L/C components needed for a match. Then it fine-tunes the component values. If for any reason the tuner cannot calculate the load impedance, it proceeds to yet another method of calculation. If for any reason, this function can be turned off. Refer to Figures 11 and 12 for the on-screen *IntelliTune*[™] indicator. Default is ON.

SWR Beep Menu

Turns the audio SWR meter on and off. The audio meter is a series of beeps where one beep indicates SWR of 1.5 or less, two beeps indicate SWR of 1.6 to 2.0, three beeps indicate SWR of 2.1 to 2.5, and four beeps indicate SWR of 2.6 to 3.0. For SWR above 3.0, “SWR” (di-di-dit di-dah-dah di-dah-dit) will be sent on CW. This functions independent of the acknowledgement beep setting. Default is OFF.

Shortcut: Press both [L-UP] and [L-DN] buttons simultaneously to toggle SWR Beep on and off.

Beep Menu

Acknowledgement beep sounds each time a parameter is changed to acknowledge it. This also controls the CW notification of “QRO”, “QRP” and “QRT”. This function can be turned OFF for silent operation, and this is independent of the SWR beep setting. Default is ON.

Refresh Menu

When the refresh function is ON, the display is updated while tuning is in progress. Default is OFF.

Note: Refresh slows tuning progress as it takes time to update the display.

LC Limit Menu

The upper limits of inductance (L) and capacitance (C) are factory-limited according to frequency and maximum power rating; i.e., higher frequencies need less inductance and less capacitance when the L-network is properly tuned. Pressing [C-UP] and/or [L-UP] allows capacitance and inductance to be increased only to these limits. When a selected capacitance or inductance is higher than its allowed limit, and the frequency is changed, that selection is automatically reduced to the value of its limit. These limits are used to prevent matching of extreme load impedance outside the tuner's specification, which may result in excess voltage and/or current across the tuner's components. This setting is not stored in non-volatile memory and reverts back to the default when the tuner power is turned off. Refer to Figures 11 and 12 for the on-screen LC Limit indicator. Default is ON.

WARNING: LC Limit is a safety precaution; the tuner is in danger of being damaged if this function is turned off.

Operation

Manual Tuning

In certain cases the operator may wish to “touch up” the tuner's settings. For example, if the target SWR is set at the default of 1.5, the tuner will stop when a match of 1.5 is found. In all cases, manual tuning gives the user control of the tuner if desired, and the L-Network menu provides a picture of the matching network configuration. Manual tuning is accomplished by using the [C-UP], [C-DN], [L-UP], and [L-DN] buttons. Since it is not known if more or less capacitance (or inductance) is needed, manual tuning must be by trial-and-error. Press [C-UP] one time, and the reflected power will indicate if [C-UP] was the right “direction.” If it was, press [C-UP] again and observe reflected power. If not, press [C-DN] twice (once to return to the original setting of C, and once for one click past it).

Manual tuning of inductance is similarly accomplished, using [L-UP] and [L-DN]. Since the capacitance and inductance are interdependent, some back-and-forth between the two may be needed, just as in a conventional tuner with knobs. Once you are familiar with this process, you will learn how to match certain antennas and frequencies.

Pressing [C-UP] and [C-DN] buttons simultaneously moves the capacitance back and forth from one side of the inductance to the other. The L-Network menu displays the capacitance on the left to indicate that the capacitance is on the antenna side (corresponding with the rear panel configuration of connectors); the capacitance value moves to the right side of the display when the capacitance is on the transmitter side of the inductance. A general rule of thumb is that loads with impedance higher than 50 ohms call for the capacitance on the antenna side; loads with impedance lower than 50 ohms call for the capacitance on the transmitter side.

Pressing [C-DN] and [L-DN] simultaneously or pressing [TUNE] quickly places the tuner in bypass mode; i.e. zero inductance and zero capacitance. RF from the transmitter goes directly to the antenna with no matching. The reflected needle bouncing to 20-watt mark indicates changing to bypass mode. Also, the decimal point in the SWR reading is replaced with a comma.

Pressing [TUNE], [C-DN] and [L-DN] simultaneously overwrites the tuner memory with the current tuner setting; settings with SWR greater than 3.0 will not be stored. Both forward and reflected needles go to full scale and one beep indicate memory overwrite.

Meter Codes and Audible Beeps

In addition to displaying power and SWR, the meter also indicates tuner status. The meter needles bounce, or rise to one point and stay, to provide information. In this mode the meters do *not* indicate power levels. For example, when you press [C-DN] and [L-DN] simultaneously to place the tuner in bypass mode, the reflected needle bounces to the 20 watts mark until you release the buttons. The following tables show the meter needle stationary and bounce codes.

Meter Needle Stationary Codes

(Meter needles stay at the indicated mark until buttons are released.)

Forward	30 Watts Mark	100 Watts Mark	300 Watts Mark	
[TUNE] + [L-DN]	30 Watts Meter Range [1 beep]	Auto Range [3 beeps]	300 Watts Meter Range [2 beeps]	
[TUNE] + [C-UP] + [L-UP]	Not Used	150 Watts Mark 150 Watts Power Level [1 beep]	300 Watts Mark 300 Watts Power Level [2 beeps]	
	10 Watts Mark	20 Watts Mark	30 Watts Mark	40 Watts Mark
[TUNE] + [C-DN]	Memory Bank A [1 beep]	Memory Bank B [2 beeps]	Memory Bank C [3 beeps]	Memory Bank D [4 beeps]
Reflected	5 Watts Mark	20 Watts Mark	60 Watts Mark	
[TUNE] + [L-UP]	Auto Tune SWR +0.5 [1 beep]	Auto Tune SWR +1.0 [2 beeps]	Auto Tune SWR +1.5 [3 beeps]	
[TUNE] 2 seconds	Sticky Tune Off [2 beeps]	Not Used	Sticky Tune On [1 beep]	
Both Needles	Zero Scale	Mid Scale	Full Scale	
[C-UP] (YES) [L-UP] (NO)	No CANCEL [2 beeps]	Delete Confirmation? DELETE ANTENNA TOTAL RESET	Yes DELETED or RESET [1 beep]	
[TUNE] + [C-DN] + [L-DN]	Not Used	Not Used	Memory Overwrite [1 beep]	
[TUNE] + [C-UP]	Needles Intersect at SWR 1.5		Needles Intersect at SWR 2.0	
	Target SWR 1.5 [1 beep]		Target SWR 2.0 [2 beeps]	

Table 2. Meter Needle Stationary Codes.

If not enough power is applied for tuning (less than 2 watts), the display will flash INCREASE POWER three times and “QRO” (dah-dah-di-dah di-dah-dit dah-dah-dah) will be sent on CW. Increasing the input power above two watts ends this message.

When input power is too high, the tuner enters a self-protection mode. The tuner will not allow any of its relays to change. This feature is to prevent damage to your tuner.

If too much power is applied when tuning, the tuner will cease the tuning routine, flash DECREASE POWER three times and send “QRP” (dah-dah-di-dah di-dah-dit di-dah-dah-dit) on CW. This occurs when the forward power exceeds 75 watts and the SWR is greater than 3.0, or when the forward power exceeds 125 watts regardless of the SWR.

If more than 300 watts (or more than 150 watts when 150 watts power level is selected) is applied to the tuner, the tuner will go into bypass mode, flash **OVERLOAD** three times and send "QRT" (dah-dah-di-dah di-dah-dit dah) on CW.

If the tuning process is activated under these conditions, the tuner will not start the tuning. It will indicate the appropriate bounce code on the meter and display a warning message on the LCD.

Meter Needle Bounce Codes

(Meter needles bounce to the indicated mark until buttons are released.)

Forward	30 Watts Mark	100 Watts Mark	300 Watts Mark
	Capacitor Switches To Transmitter Side [2 beeps]	Insufficient Power to Tune (Forward < 2 Watts) INCREASE POWER [QRO]	Power Too High to Tune (Forward > 125 Watts, or Forward > 75 Watts and SWR > 3) DECREASE POWER [QRP]
Reflected	5 Watts Mark	20 Watts Mark	60 Watts Mark
	Capacitor Switches To Antenna Side [1 beep]	Bypass Mode (L = 0 and C = 0) [1 beep]	L or C at Its Limit During Manual Adjustment [1 beep at lower limit] [2 beeps at upper limit]
Both Needles	30/5 Marks	100/20 Marks	300/60 Marks
	Not Used	Not Used	Power Overload (Forward > 300 or 150 Watts) OVERLOAD [QRT]

Table 3. Meter Needle Bounce Codes.

Foldback Circuit

Modern transceivers with solid-state finals usually have a foldback circuit to protect the final transistors from high SWR, which can damage or destroy them. A foldback circuit detects the SWR during transmit and reduces the output power as the SWR rises above a preset threshold, usually 2:1. The higher the SWR the lower the power is set to prevent damage.

If your transceiver has a foldback circuit, you can simply key down and tune at any power level from 2 to 100 watts. If your transceiver does not have a foldback circuit, you must manually set the power level to 20 watts or less for tuning. At higher power levels, the reflected power occurred during tuning can damage your transceiver and causes component arcing which can damage the relays in the tuner.

Check your transceiver owner's manual to see if yours has a foldback circuit.

Grounding Hints

To minimize RFI, single wire feedlines (such as used with Windom or longwire antennas) should be kept away from other wiring. Radiation will be minimized if the single wire feeder runs parallel and reasonably close to the wire that connects the tuner to the outdoor ground. The antenna feed wire should be adequately insulated to prevent arcing or accidental contact.

CAUTION

For operator safety, a good outside earth ground or water pipe ground should always be installed and connected to the case of the MFJ-993B. Make certain the safety ground also connects to the transmitter and other station accessories. A wing-nut post marked GROUND is provided for ground connections.

For safety, please use good DC and RF grounds. It is particularly important to have a good RF ground when using a single wire feeder. When using a single wire feeder, the tuner needs something to "push" against in order to force current into the single wire feedline. If a good RF ground is not available, RF will usually find its way back into the power line (RFI), transmitter audio circuits (RF feedback), or the operator (RF burns).

Metal water pipes and ground rods provide good DC and AC safety grounds, but they are often inadequate for RF grounding because they are single conductors. Ground rods by themselves are almost useless for dependable RF grounding.

RF grounds work much better when "spread out" over a large area, especially when they employ multiple connections directly to the equipment ground point. Metal water pipes, heating ducts, and fences may work (especially if they are connected together with multiple wires), but the best RF grounds are radial systems or multi-wire counterpoises. Radials and counterpoises provide large, low resistance surfaces for RF energy.

RF and lightning travel on the surface of conductors. Braided or woven conductors have high surface resistance to lightning and RF. Ground leads for RF and lightning should have wide smooth surfaces. Avoid the use of woven or braided conductors in RF and lightning grounds unless the lead needs to be flexible.

Antenna System Hints

Location

For the best performance, an end-fed longwire wire antenna should be at least one quarter-wavelength long at the operating frequency. Horizontal dipole antennas should be at least a half-wavelength long and located as high and clear as possible. While good RF grounds help the signal in almost any transmitting installation, it is extremely important to have good RF grounds with long wire or other Marconi-style antennas.

Matching Problems

Most matching problems occur when the antenna system presents an extremely high impedance to the tuner. When the antenna impedance is much lower than the feedline impedance, an *odd quarter-*

wavelength feedline converts the low antenna impedance to a very high impedance at the tuner. A similar problem occurs if the antenna has an extremely high impedance and the transmission line is a multiple of a half-wavelength. The half-wavelength line *repeats* the very high antenna impedance at the tuner. Incorrect feedline and antenna lengths can make an otherwise perfect antenna system very difficult or impossible to tune.

One example where this problem occurs is on 80 meters when an odd quarter-wave (60 to 70 feet) open wire line is used to feed a half-wave (100 to 140 feet) dipole. The odd quarter-wave line transforms the dipole's low impedance to over three thousand ohms at the tuner. This is because the mismatched feedline is an *odd multiple* of 1/4 wavelength long. The line *inverts* (or teeter-totters) the antenna impedance.

A problem also occurs on 40 meters with this same antenna example. The feedline is now a multiple of a half-wave (60 to 70 feet) and connects to a full-wave high impedance antenna (100 to 140 feet). The half-wave line repeats the high antenna impedance at the tuner. The antenna system looks like several thousand ohms at the tuner on 40 meters.

This places enormous strain on the balun and the insulation in the tuner, since voltages can reach several thousand volts. This can cause component arcing and heating.

The following suggestions will reduce the difficulty in matching an antenna with a tuner:

- Never center feed a half-wave multi-band antenna with a high impedance feedline that is close to an odd multiple of a quarter-wave long.
- Never center feed a full-wave antenna with a feedline close to a multiple of a half-wave long.
- If this tuner will not "tune" a multi-band antenna, add or subtract 1/8 wave of feedline (for the band that won't tune) and try again.
- Never try to load a G5RV or center fed dipole on a band below the half-wave design frequency. If you want to operate an 80-meter antenna on 160 meters, feed either or both conductors as a longwire against the station ground.

To avoid problems matching or feeding any dipole antenna with high impedance open wire lines, keep the lines around these lengths. [The *worst possible* line lengths are shown in brackets]:

160 meters dipole:	35-60, 170-195 or 210-235 feet	[Avoid 130, 260 ft]
80 meters dipole:	34-40, 90-102 or 160-172 feet	[Avoid 66, 135, 190 ft]
40 meters dipole:	42-52, 73-83, 112-123 or 145-155 feet	[Avoid 32, 64, 96, 128 ft]

Some slight trimming or adding of feedline may be necessary to accommodate the higher bands.

WARNING

To avoid problems, a dipole antenna should be a full half-wave on the lowest band. On 160 meters, an 80 or 40 meters antenna fed the normal way will be extremely reactive, with only a few ohms of feedpoint resistance. Trying to load an 80 meters half-wave dipole (or shorter) antenna on 160 meters can be a disaster for both your signal and the tuner. The best way to operate 160 meters with an 80 or 40 meters antenna is to load either or both feedline wires (in parallel) as a longwire. The antenna will act like a "T" antenna worked against station ground.

Appendices

POWER-ON OPERATIONS			
(Press and hold buttons while turning on the power.)			
Press and hold	C-UP	+	POWER to get the firmware version number.
Press and hold	L-UP	+	POWER to start the self test.
Press and hold	C-DN	+	POWER to test the relays.
Press and hold	L-DN	+	POWER to test the power-down circuitry.
Press and hold	C-UP + C-DN	+	POWER to calibrate the wattmeter.
Press and hold	L-UP + L-DN	+	POWER to output audio for volume adjustment.
Press and hold	C-UP + L-UP	+	POWER to calibrate the SWR bridge.
Press and hold	C-DN + L-DN	+	POWER to calibrate the frequency counter.
Press and hold	TUNE + C-DN + ANT	+	POWER to delete the selected antenna memory.
Press and hold	TUNE + L-DN	+	POWER to reset factory defaults.
Press and hold	TUNE + C-DN + L-DN	+	POWER to perform total reset.

Figure 13. Power-On Operations.

Important: *The radio interface cable must be disconnected from the tuner, if the radio power is off, before performing any of the following power-on operations.*

Resetting the Tuner

Each time the tuner is powered off, the microprocessor saves all memories and configurations to non-volatile memory ready to be used the next time the unit is turned on again. If the tuner is not working properly, even on initial power on, try resetting to the factory defaults.

Factory Defaults

The unit is shipped with the following default settings for both antennas:

- Main Menu Digital Wattmeter
- Setup Menu Target SWR
- Inductance 0 μH
- Capacitance 0 pF on transmitter side
- Power Level 300 watts †
- Target SWR 1.5 †
- Auto Tune SWR 1.0 above target SWR †
- Meter Range 300 watts (high range) †
- Peak Hold on †
- Memory Banks 1A and 2A on †

- IntelliTune on †
- SWR Beep off
- Beep on
- Refresh off

† These settings are stored separately for antennas 1 and 2.

Note: *Resetting to factory defaults does not erase the antenna memories.*

To reset the tuner to these defaults:

1. Turn off the power to the tuner.
2. Press and hold *both* the [TUNE] and [L-DN] buttons while turning the power on.
3. Release the buttons when DEFAULTS RESET appears on the display and both meter needles read full scale.
4. Resume with normal operation.

WARNING: If the MFJ-993B is behaving weirdly or acting erratic, try resetting the tuner to factory defaults.

Delete Antenna Memory

To delete an antenna memory, select Antenna 1 or Antenna 2 with the [ANT] button that you want to delete. Turn off power to the tuner, and then press and hold *both* the [TUNE] and [C-DN] buttons while turning the power back on. A confirmation message DELETE ANTENNA will display. Press the YES [C-UP] button to delete the antenna memory (DELETED will display and both meter needles go to full scale), or press the NO [L-UP] button to cancel (CANCEL will display and both meter needles go to zero scale). Release the button to resume normal operation. Remember that the selected antenna memory will be lost!

Total Reset

To erase *both* antenna memories and reset to factory defaults, press and hold down the [TUNE], [C-DN] and [L-DN] buttons while turning the power on. A confirmation message TOTAL RESET will display. Press the YES [C-UP] button to delete both antenna memories and reset factory defaults (RESET will display and both meter needles go to full scale), or press the NO [L-UP] button to cancel (CANCEL will display and both meter needles go to zero scale). Release the button to resume normal operation. Remember that both antenna memories will be lost!

Self Test

A self-test routine will check the functions of the MFJ-993B. This routine checks the display, the meter, the front-panel buttons, the internal memory and the audio circuitry. During the self-test, you may stop the test by turning off the unit; however, this should NOT be done during the memory test or the memory could be corrupted. The self-test can be completed in approximately 30 seconds.

This test can also be used to test the optional MFJ-993RC Remote Control. Make sure to press both [ANT] and [AUTO] buttons on the MFJ-993B tuner to the in position before starting the self-test, and press the buttons on the MFJ-993RC instead of the front-panel buttons when prompted.

Note: Performing the self-test will reset the unit to its factory default settings.

Here is the self-test procedure:

1. Turn off the power to the tuner, and press all buttons to the *out* position.
2. Unplug the radio interface cable, if one is connected, from the tuner.
3. If testing the MFJ-993RC Remote Control, connect it to the Remote Port and make sure both [ANT] and [AUTO] buttons *on the tuner* are pressed to the *in* position.
4. Set volume to a comfortable listening level.
5. Press and hold *only* the [L-UP] button while turning the power on.
6. The test begins by displaying a copyright message and firmware version number, such as
COPYRIGHT (c) 2003-2004 MFJ ENTERPRISES, INC. VERSION YYWW. This is the test of the display. At the same time, the forward needle of the meter also goes up slowly to full scale and then drops to zero, followed by the reflected needle going up slowly to full scale and then drops to zero. This tests the meter. Release the [L-UP] button before the message completes. To skip this copyright message, press [C-DN] button.
7. You will be prompted to press each of the front-panel buttons. The forward needle should bounce once for each press, and the reflected needle should move up a division for each press.
8. The unit then tests its non-volatile memory. Notice this step will reset the unit to its factory default settings.
9. If the unit is okay, a repetitive message `PASS` will be displayed and sent as Morse code (di-dah-dah-dit di-dah di-di-dit di-di-dit), and both meter needles will go to full scale. If there is a problem, a failure message will be displayed and sent; also, the forward needle will bounce and the reflected needle mark indicates the failure.
10. Once you have confirmed that the audio is okay, turn the unit off.

Failure Message	Reflected Needle (watts)	Indicates
ANT FAIL	1	[ANT] button is shorted or improperly connected.
MODE FAIL	2	[MODE] button is shorted or improperly connected.
C-UP FAIL	3	[C-UP] button is shorted or improperly connected.
C-DN FAIL	4	[C-DN] button is shorted or improperly connected.
L-UP FAIL	5	[L-UP] button is shorted or improperly connected.
L-DN FAIL	7.5	[L-DN] button is shorted or improperly connected.
AUTO FAIL	10	[AUTO] button is shorted or improperly connected.
TUNE FAIL	15	[TUNE] button is shorted or improperly connected. Radio interface cable is connected but radio power is off.
MEMORY FAIL	20	Non-volatile memory circuitry is improperly connected.
WAKEUP FAIL	30	Microprocessor wakeup circuitry problem.
PD FAIL	40	Power down circuitry problem.

Table 4. Failure Messages.

Power-Down Circuit Test

When the 12 VDC power to the tuner is turned off, the tuner saves all settings to non-volatile memory. The Power-Down Circuit Test checks the power down detection circuitry. It is recommended that this test be done immediately after the regular self-test described above.

Note: The tuner must be reset to factory defaults before performing this test.

Here is the test procedure:

1. Make sure power to the tuner is off.
2. If the tuner has been reset to factory defaults, skip to step 6; otherwise continue with step 3.
3. Press and hold *both* the [TUNE] and [L-DN] buttons while turning the power on.
4. Release both buttons when `DEFAULTS RESET` appears on the display.
5. Turn the power off.
6. Press and hold *only* the [L-DN] button while turning the power on.
7. If the power down detection circuitry is okay, a repetitive message `PASS` will be displayed and sent as Morse code (di-dah-dah-dit di-dah di-di-dit di-di-dit). If there is a problem, message `PD FAIL` will be displayed and sent as Morse code repetitively.
8. Turn the power off.

Relay Test

WARNING: Turn off the transmitter power or disconnect the transmitter before performing this test; otherwise, damage to the tuner can result.

To test the relays and their control circuitry, press and hold the [C-DN] button while turning the power on. The message `RELAY TEST` will appear. Four numbers representing the relays will be shown in the center of the display. The [C-UP], [L-UP], [C-DN] and [L-DN] buttons, corresponding to the position of the relay numbers on the display, are used to toggle each relay on and off. Press button to engage the relay and release it to disengage the relay. Listen for relay clicks. Press the [TUNE] button to proceed to the next group of four relays. There are 19 relays in the tuner. Repeat the above procedure to test all the relays. Normal operation is resumed after this test.

Firmware Version Number via Meter

Make sure the meter is calibrated. The firmware version number is shown in the copyright message of the self-test. To obtain a decimal firmware version number via the meter, press and hold the [C-UP] button while turning the power on. The version number X.YY is represented by the meter forward needle for X (forward reading ÷ 10) and the reflected needle for YY (reflected reading). For example, forward needle on 10-watt mark and reflected needle on 20-watt mark represent firmware version number 1.20. Release button to resume normal operation.

Setting the Speaker Volume

To set the speaker volume, press and hold *both* the [L-UP] and [L-DN] buttons while turning the power on. The message `SET VOLUME` will display and send as Morse code repetitively. Insert a small flat blade screwdriver into the VOL hole on the front panel to adjust the volume level. Turn clockwise to increase volume level. Turn the power off.

Wattmeter Calibration

To calibrate the meter needles, you will need a Phillips screwdriver and a tuning tool or small flat blade screwdriver.

WARNING: Never operate the MFJ-993B with its cover removed; dangerous voltages and currents can be present during operation. Never exceed tuner specifications.

Note: The trimmers involved in this calibration are located on the circuit board behind the front panel; do not confuse these with the SWR bridge trimmers.

1. Turn off the power to the tuner and the transmitter.
2. Remove the cover from the tuner (12 screws) with a Phillips screwdriver.
3. Press and hold *both* the [C-UP] and [C-DN] buttons while turning the power on.
4. A message CAL FWD METER TO 100 WATTS will display and both meter needles will bounce. Use a small flat blade screwdriver and adjust the FWD trimpot R75, located behind the display, to set the forward needle to the 100-watt mark.
5. Press the [TUNE] button to calibrate the reflected needle.
6. A message CAL REF METER TO 20 WATTS will display. Adjust the REF trimpot R76, located behind the display, to set the reflected needle to the 20-watt mark.
7. Press the [TUNE] button to end calibration.
8. Turn off the tuner power and secure the cover back onto the tuner.

SWR Bridge Calibration

To calibrate the SWR Bridge, you will need a transmitter capable of 100 watts output, a precise calibrated wattmeter, a 50-ohm dummy load, three 50-ohm SO-239 coax cables, a Phillips screwdriver, and a tuning tool or small flat blade screwdriver.

WARNING: Do not touch anything inside the tuner during operation! Serious, painful RF burns can result.

WARNING: Never operate the MFJ-993B with its cover removed; dangerous voltages and currents can be present during operation. Never exceed tuner specifications.

Note: The trimmers involved in this calibration are located on the main circuit board in front of the TRANSMITTER connector; do not confuse these with the SWR/wattmeter trimmers.

1. Turn off the power to the tuner and the transmitter.
2. Remove the cover from the tuner (12 screws) with a Phillips screwdriver.
3. Connect the 50-ohm dummy load to the ANTENNA 1 connector; connect the wattmeter between the transmitter and the TRANSMITTER connector on the tuner.
4. Turn on the power to the transmitter. Using a frequency in the middle of the HF band, such as 7.253 MHz, for calibration is recommended.
5. Press and hold *both* the [C-UP] and [L-UP] buttons while turning the tuner power on.

6. A message `CAL CAP AND FWD` will display and both meter needles will bounce. Key the transmitter to output 100 watts and adjust trimmer capacitor C91 for minimum reflected power. Notice the reflected meter movement is exaggerated for easier calibration.
7. Key the transmitter to 100 watts output and adjust the FWD trimpot R72 until the display shows forward power of `FWD=100` watts. The forward meter also should indicate 100 watts.
8. Press the [TUNE] button. A message `REVERSE, CAL REF` displays and the reflected meter goes to full scale.
9. Turn off the transmitter and reverse the ANTENNA 1 and TRANSMITTER connections; that is, connect the 50-ohm dummy load to the TRANSMITTER connector and connect the transmitter/wattmeter to the ANTENNA 1 connector.
10. Turn on the transmitter's power.
11. Key the transmitter to 100 watts output and adjust the REF trimpot R71 until the display shows reflected power of `REF=100` watts. The forward meter (yes, the forward meter) also should indicate 100 watts; the reflected meter is at full scale.
12. Press the [TUNE] button to end calibration.
13. Turn off the power to the tuner and the transmitter.
14. Remove the transmitter/wattmeter and the 50-ohm dummy load from the tuner.
15. Secure the cover back onto the tuner.
16. Connect your transmitter to the TRANSMITTER connector and connect your antenna to the appropriate antenna connector on the tuner.

Frequency Counter Calibration

To calibrate the frequency counter, you will need a transmitter, a 50-ohm dummy load, two 50-ohm SO-239 coax cables, a Phillips screwdriver, and a tuning tool or small flat blade screwdriver.

WARNING: Do not touch anything inside the tuner during operation! Serious, painful RF burns can result.

WARNING: Never operate the MFJ-993B with its cover removed; dangerous voltages and currents can be present during operation. Never exceed tuner specifications.

1. Turn off the power to the tuner and the transmitter.
2. Remove the cover from the tuner (12 screws) with a Phillips screwdriver.
3. Connect the 50-ohm dummy load to the ANTENNA 1 connector; connect the transmitter to the TRANSMITTER connector on the tuner.
4. Turn on the power to the transmitter. Set and lock the frequency to *exactly* 29.000 MHz.
5. Press and hold *both* the [C-DN] and [L-DN] buttons while turning the tuner power on. Both meter needles will go to full scale and a message `CAL FREQ 29.000` will display.
6. Key the transmitter to output about 10 watts. Adjust trimmer capacitor C118 (located between the two big integrated circuits) until the tuner displays a frequency of `29.000` MHz and the meter needles settle at the 0 watt marks. Notice the meter movement is exaggerated for easier calibration. Nominal tolerance of the frequency counter is ± 1 kHz.
7. Turn off the power to the tuner and the transmitter.
8. Secure the cover back onto the tuner.

In Case of Difficulty

If the LCD screen is blank, check adjustment of the contrast control. If no audio is present (with audio enabled) adjust the volume control.

If the tuner acts erratic, reset the tuner to factory defaults by pressing both the [TUNE] and [L-DN] buttons while turning the power on.

If the tuner fails to tune, please **double check** all connections and follow the tuning procedures again. Be sure you are using *enough inductance* (through manual adjustment) and *minimum capacitance*.

If the tuner arcs at the rated power levels, please **double check** all connections and follow the tuning procedures again. Ensure you are not exceeding the tuner's rated power handling capability. Be sure you are using the *least amount of inductance* and the *greatest capacitance* possible that still allows matching the load on the operating frequency.

Note: If the tuner arcs when operating on the 160-meter band, it may be necessary to reduce transmitter output power.

If you are still unsuccessful, but the tuner does adjust and operate when used with a dummy load or another antenna, please read "Grounding Hints" on page 21 and "Antenna System Hints" on page 21.

Technical Assistance

If you have any problem with this unit first check the appropriate section of this manual. If the manual does not reference your problem or your problem is not solved by reading the manual, you may call *MFJ Technical Service* at 662-323-0549 or the *MFJ Factory* at 662-323-5869. You will be best helped if you have your unit, manual and all information on your station handy so you can answer any questions the technicians may ask.

You can also send questions by mail to MFJ Enterprises, Inc., 300 Industrial Park Road, Starkville, MS 39759; by facsimile (FAX) to 662-323-6551; or by email to techinfo@mfjenterprises.com. Send a complete description of your problem, an explanation of exactly how you are using your unit, and a complete description of your station. Also include the firmware version number of your unit.

List of Accessories

- **MFJ-993RC:** Remote control
- **MFJ-1316:** 12 VDC 1.5 amp power supply
- **MFJ-5124A:** Interface cable for compatible Alinco radios
- **MFJ-5124I:** Interface cable for compatible Icom radios
- **MFJ-5124K:** Interface cable for compatible Kenwood radios
- **MFJ-5124Y:** Interface cable for compatible Yaesu radios
- **MFJ-5409:** 6 feet long RS-232 cable, female DB-9 to male DB9 connector
- **MFJ-5803:** 3 feet long RG-58 A/U 50-ohm coax cable with a PL-259 connector on each end
- **MFJ-5806:** 6 feet long RG-58 A/U 50-ohm coax cable with a PL-259 connector on each end
- **MFJ-5818:** 18 feet long RG-58 A/U 50-ohm coax cable with a PL-259 connector on each end

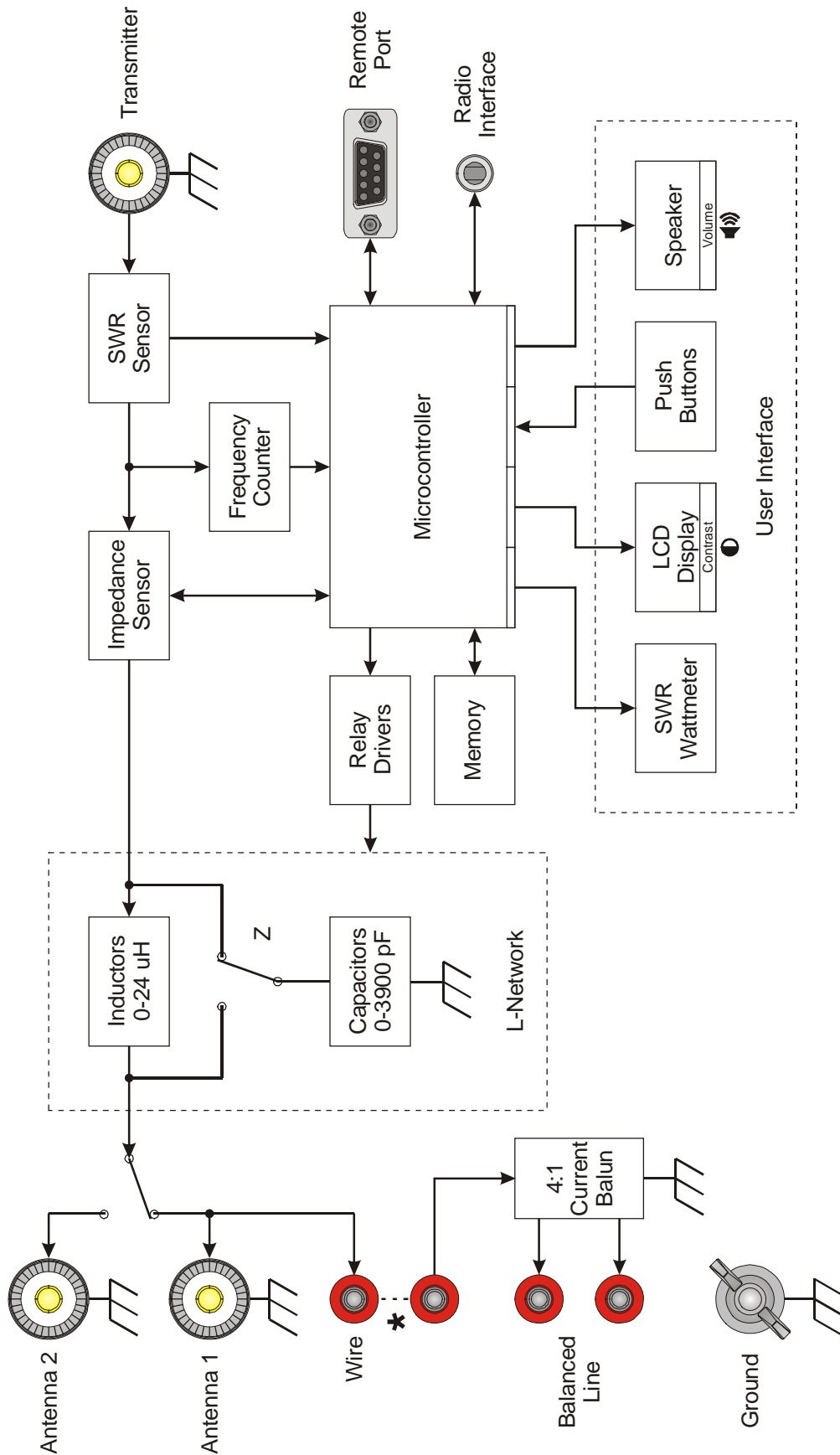


Figure 14. MFJ-993B Circuit Block Diagram.

Notes

Notes

LIMITED 12 MONTH WARRANTY

MFJ Enterprises, Inc. warrants to the original owner of this product, if manufactured by MFJ Enterprises, Inc. and purchased from an authorized dealer or directly from MFJ Enterprises, Inc. to be free from defects in material and workmanship for a period of 12 months from date of purchase provided the following terms of this warranty are satisfied.

1. The purchaser must retain the dated proof-of-purchase (bill of sale, canceled check, credit card or money order receipt, etc.) describing the product to establish the validity of the warranty claim and submit the original or machine reproduction of such proof of purchase to MFJ Enterprises, Inc. at the time of warranty service. MFJ Enterprises, Inc. shall have the discretion to deny warranty without dated proof-of-purchase. Any evidence of alteration, erasure, or forgery shall be cause to void any and all warranty terms immediately.
2. MFJ Enterprises, Inc. agrees to repair or replace at MFJ's option without charge to the original owner any defective product under warrantee provided the product is returned postage prepaid to MFJ Enterprises, Inc. with a personal check, cashiers check, or money order for **\$7.00** covering postage and handling.
3. This warranty is **NOT** void for owners who attempt to repair defective units. Technical consultation is available by calling the Service Department at 662-323-0549 or the MFJ Factory at 662-323-5869.
4. This warranty does not apply to kits sold by or manufactured by MFJ Enterprises, Inc.
5. Wired and tested PC board products are covered by this warranty provided **only the wired and tested PC board product is returned**. Wired and tested PC boards installed in the owner's cabinet or connected to switches, jacks, or cables, etc. sent to MFJ Enterprises, Inc. will be returned at the owner's expense unrepaired.
6. Under no circumstances is MFJ Enterprises, Inc. liable for consequential damages to person or property by the use of any MFJ products.
7. **Out-of-Warranty Service:** MFJ Enterprises, Inc. will repair any out-of-warranty product provided the unit is shipped prepaid. All repaired units will be shipped COD to the owner. Repair charges will be added to the COD fee unless other arrangements are made.
8. This warranty is given in lieu of any other warranty expressed or implied.
9. MFJ Enterprises, Inc. reserves the right to make changes or improvements in design or manufacture without incurring any obligation to install such changes upon any of the products previously manufactured.
10. All MFJ products to be serviced in-warranty or out-of-warranty should be addressed to:

**MFJ Enterprises, Inc.,
300 Industrial Park Road
Starkville, Mississippi 39759 USA**

and must be accompanied by a letter describing the problem in detail along with a copy of your dated proof-of-purchase.

11. This warranty gives you specific rights, and you may also have other rights which vary from state to state.



MFJ ENTERPRISES, INC.

300 Industrial Park Road
Starkville, MS 39759

From The N3UJJ.COM Document Library

MFJ-993B Manual

Version 1A

Printed In U.S.A. 10/2005